

MOOG

NF128-201 Series Power Supply Card

SPECIFICATIONS

Output Voltages:

- +15 VDC regulated, 1.0A max
- 15 VDC regulated, 1.0A max
- +24 VDC unregulated, 1.0A max
- 24 VDC unregulated, 1.0A max

Option: +5 VDC stabilized, 1.2A max

NOTE: Total load on +15 & +24 supplies must not exceed 1.2A.

Total load on -15 and -24 supplies must not exceed 1.2A.

±15 VDC +5 VDC option

- | | |
|-----------------------------------|---------------------|
| Load: ±80 max | ±20 max mV |
| Regulation: | (0 Amp - full load) |
| Line: ±10 | ±15 mV |
| Regulation: | (105 to 130 Vrms) |
| Ripple: 3 | 0.6 mV |
| | peak-to-peak |
| Temperature Stability: 190 | 20 ppm per °C |

Input Voltages:

- 105-130 Vrms
- (210-260 Vrms optional),
- 50 to 60 Hz, 40 VA max.

Fuse Requirements:

LittleFuse 218 Series type T or equiv.

- AC line: 2 Amp, slow-blow
- +24V: 2 Amp, slow-blow
- 24V: 2 Amp, slow-blow

Temperature Range:

10°C to 50°C (50°F to 120°F)

Connector:

DIN 41612 style H

Form Factor:

Eurocard 100 x 160 mm, 21HP, 3 U

Weight:

- 4.7 lb (2.1 kg) w/o 5 VDC option
- 4.9 lb (2.2 kg) w/ 5 VDC option

The NF128-201 Power Supply Card is designed to provide power to the circuit cards of the NF120 Series electronics. The power supply mounts directly into a special slot in the model NF127-101 Motherboard Frame.

The NF128-201 Power Supply is a forward compatible replacement for the F128-201.



ADJUSTMENTS

No user adjustments are provided on this unit

ORDER NUMBERS

- | | |
|-------------|------------------------|
| NF128-201D1 | 220 VAC input |
| NF128-201D2 | 220 VAC w/5 VDC option |
| NF128-201D3 | 110 VAC input |
| NF128-201D4 | 110 VAC w/5 VDC option |

FEATURES

Regulated DC Power Supply

The integrated circuitry of the voltage regulators provides superior regulation and protection.

Power Fail-Sensor Relay

Contacts open when input or output voltage is interrupted.

Front-Panel LED Indicator

Convenient indication of regulated voltages status.

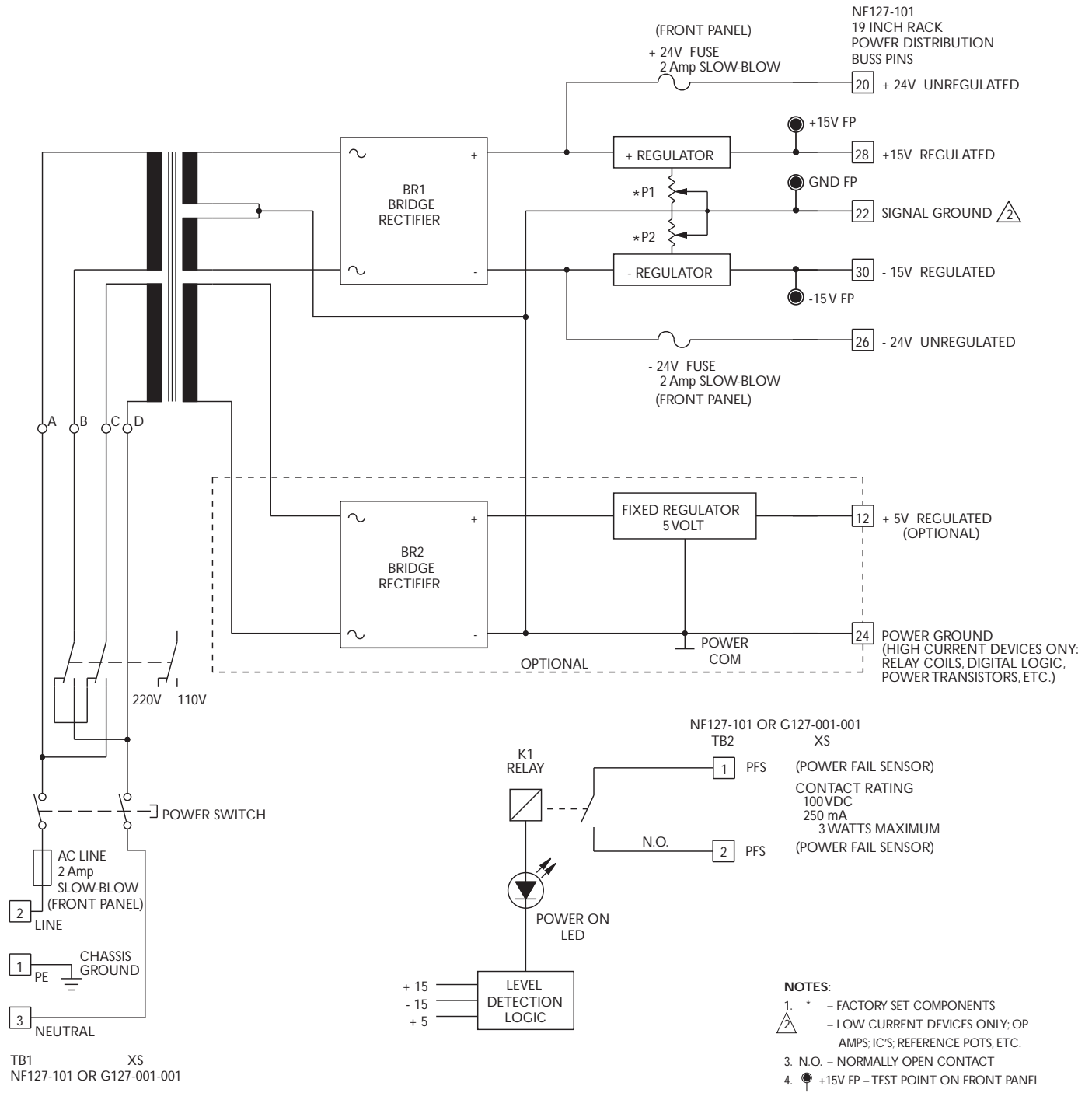
Front-Panel Test Points

Provide stabilized, regulated ±15 VDC power for setup & test.

Front-Panel On/Off Switch and Fuses

Allow for easy access to fuseholders & power switch.

NF128-201 POWER SUPPLY CARD BLOCK DIAGRAM



The products described herein are subject to change at any time without notice, including, but not limited to, product features, specifications, and designs.

MOOG
Industrial Controls Division
 Moog Inc., East Aurora, NY 14052-0018
 Telephone: 716/655-3000
 Fax: 716/655-1803
 Toll Free: 1-800-272-MOOG